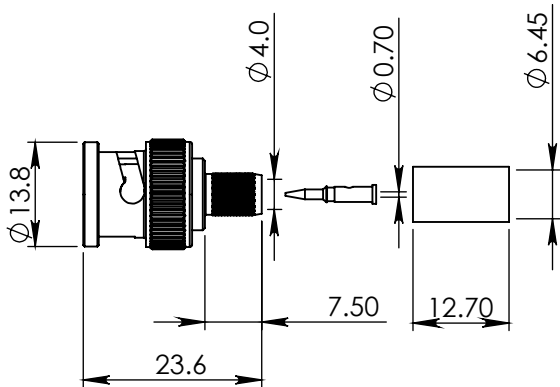


## BNC STRAIGHT CRIMP / CRIMP PLUG ( 1 GHz )

### 10-005-A0-AI



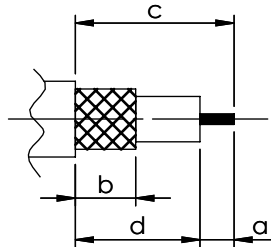
images for illustration purposes only



### Suitable for Cables:

(AI) RG59, URM104, URM70, RG62, KX6, KX52, KX30

### Stripping Dimensions



a = 4.0 mm  
b = 8.0 mm  
c = 16.0 mm  
d = 12.0 mm

### Assembly Procedure: AP001

### Tooling

Centre Contact: Hex 1.72mm A/F Tool No: 336A

Crimp Sleeve: Hex 6.50mm A/F Tool No: 336A

### Environmental Specification

Operating Temp: -30 to +70 Deg C.

IP Rating (Mated): IP64

### Electrical Specification

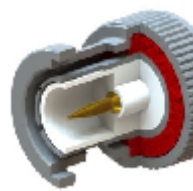
Impedance: 75 Ohm  
Frequency: 0-1 GHz  
Dielectric W/V: 1500 Veff  
Insulation res: 5000 M-Ohm

### Mechanical Specification

Contact Retention: 10 N min  
Cable Retention: 120 N min  
Mating cycles: 250  
Weight: 10.31 g

### Connector Interface

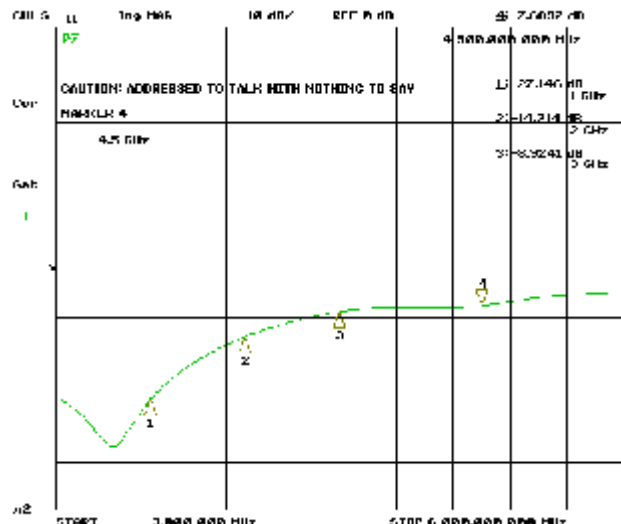
image for illustration purposes only



### Performance

-27.2 dB @ 1.0 GHz  
-14.2 dB @ 2.0 GHz  
-8.9 dB @ 3.0 GHz

### Return Loss Graph



9	CRIMP SLEEVE	BRASS	NICKEL
8	CENTRE CONTACT	BRASS	GOLD
7	BODY	BRASS	NICKEL
6	WASHER	Fe	NICKEL
5	SPRING	SK5	NICKEL
4	INNER RETAINING RING	SK5	NICKEL
3	GASKET	SILICONE	N/A
2	INSULATOR	DELTRIN	N/A
1	BAYONET CAP	ZINC	NICKEL
ITEM	DESCRIPTION	MATERIAL	PLATING

<b>A4</b>	SHEET 1 OF 1		DIMENSIONS ARE IN MILLIMETRES		
REVISION :	A03		NAME	SIGNATURE	DATE
ISSUE :	1		DRAWN	IG	05/01/2011
			CHK'D	GE	06/01/2011
<b>6-8 COLNE ROAD, TWICKENHAM, MIDDLESEX. TW1 4JR</b>		APP'VD			<small>THE INFORMATION IS GIVEN AS AN INDICATION ONLY AND IS SUBJECT TO CHANGE WITHOUT NOTICE. IN THE CONTINUAL GOAL TO IMPROVE OUR PRODUCTS, WE RESERVE THE RIGHT TO MAKE ANY MODIFICATIONS NECESSARY WITHOUT PRIOR NOTICE.</small>